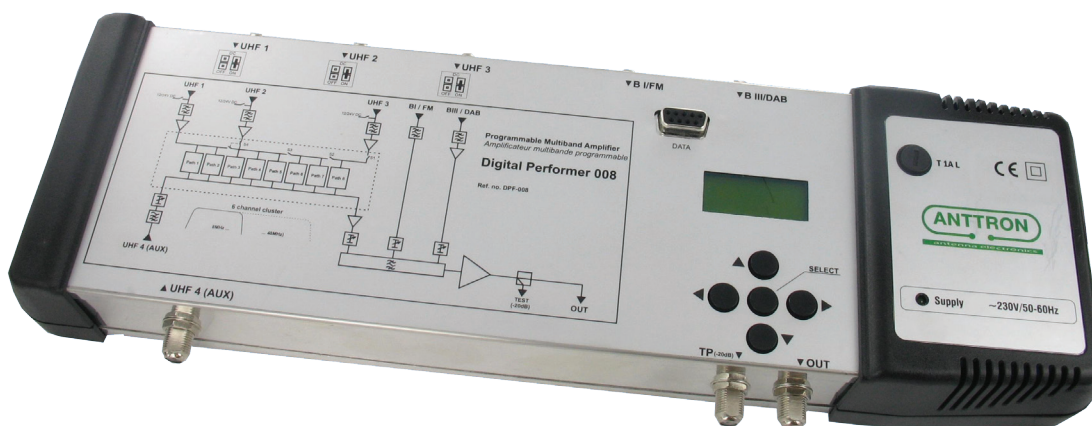


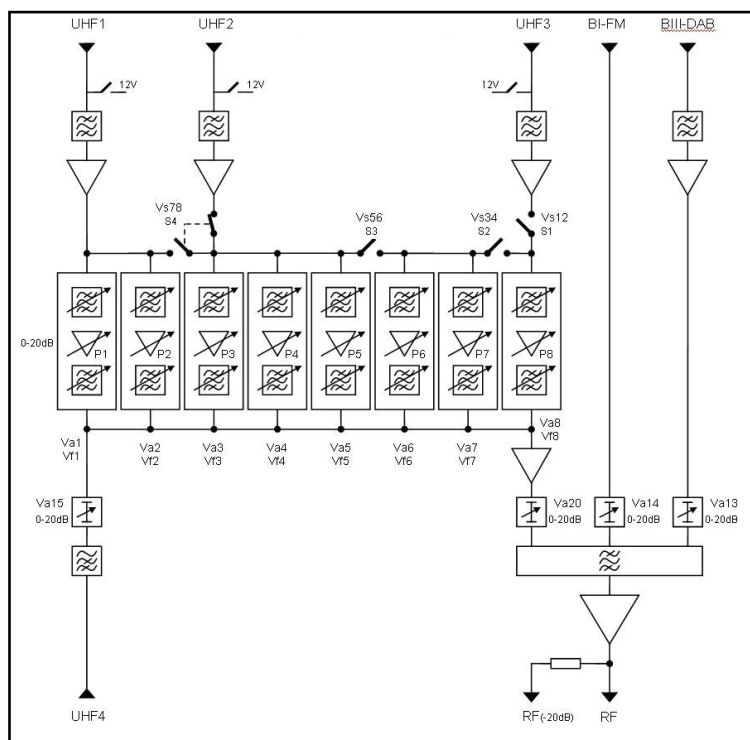
Programmable multiband amplifier DPF008



The programmable multiband amplifier DPF008 is designed for using in collective antenna systems receiving terrestrial digital TV (DVB-T) programs in detached houses, schools, hospitals, etc. Even situated in places with difficult reception conditions where received signals have different levels and are coming from different directions. Amplifier designed for receiving these channels, selecting requested channels, equalizing their levels and amplifying them.

Block diagram

- ◇ Selective amplification of up to 8 UHF signals. Each of these filters can have 1...6 channels (8...48 MHz) bandwidth.
- ◇ Built-in RS-232 port, LCD and μ P controller.
- ◇ Import and export function to facilitate transfer of settings between different DPF008's.
- ◇ Fine tune function to more easily solve difficult reception conditions.
- ◇ Remote powering of masthead amplifiers using 12V or 24V.
- ◇ Low power consumption.
- ◇ Easy installation and adjustment.
- ◇ Ready to digital terrestrial TV transmission (DVB-T).



Technical specifications DPF008

INPUTS		BI/FM	BIII	UHF1	UHF2	UHF3	UHF4
Frequency	MHz	47-108	174-260	470-862			470-862
Possible combinations for switches S1 - S4 for the inputs UHF1 - UHF3.	\	\	\	2	3	3	\
				2	5	1	
				2	6	0	
				5	0	3	
				7	0	1	
				8	0	0	
Gain	dB	25 ±2	44 ±2	44 ±2			30 ±2
Attenuator adjustment range	dB	20 ±2	20 ±2	20 ±2 (each filter)			20 ±2
Output level attenuator	dB	--		20 ±2 (global)			--
Filter selectivity	dB	--	--	> 22 ±20 MHz			--
Noise figure	dB	9	4	9			17
Maximum input level	dBµV	90	80	80			80
Maximum output level (*)	dBµV	118		114			
Selectivity (f=fp±16 MHz)	dB	--		>14			--
Programmable filter bandwidth	\	--		1-6 channels(8-48 MHz)			--
Gain variation (filter bandwidth = 8 MHz)	dB	--		max. 3			--
Gain variation (filter bandwidth = 16..48 MHz)	dB			max. 6			--
Test output	dB	-20 ± 2					
Input/output impedance	ohm	75 / 75					
Remote supply preamplifier	VDC/mA	--		0-12-24/ 50			--
Short circuit indication	\	--		yes, LED RED			--
Operating temperature range	°C	-5 +50					
Power supply	VAC/Hz	230 / 50-60					
Power consumption	VA	20					
Dimensions	mm	370 X 130 X 50					
Weight	kg	0.9					
EAN code		54 200 376 3 008 0					
(*) DIN 45004B							